

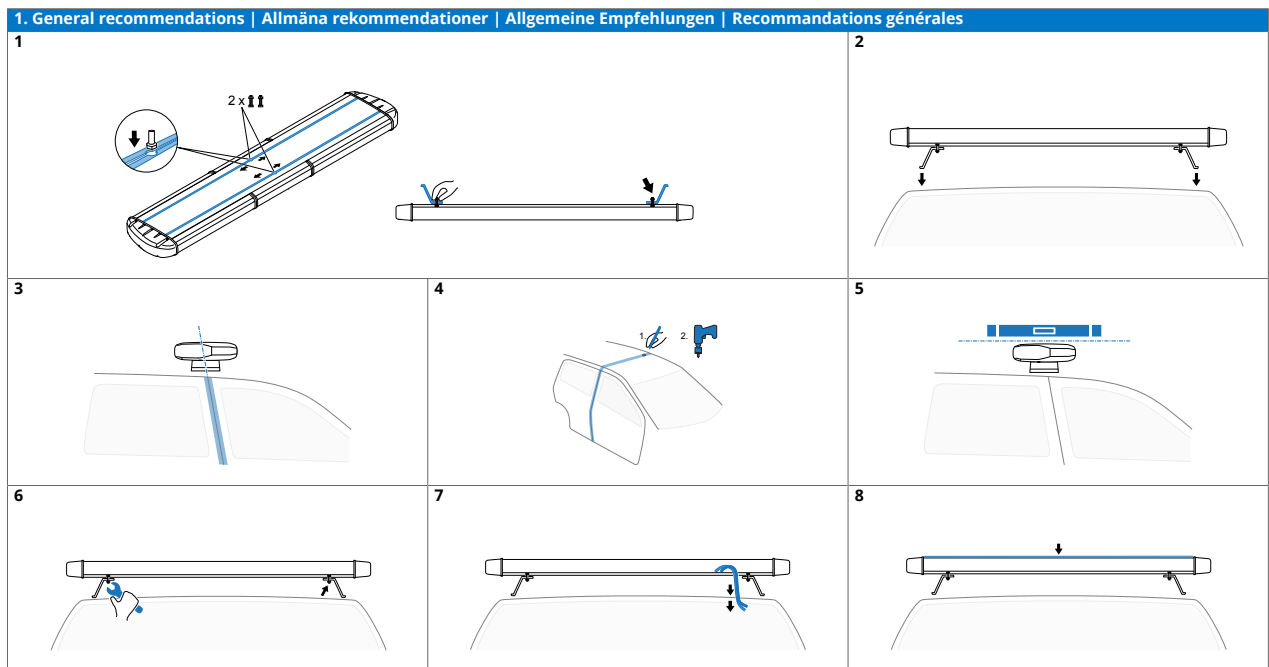
## Vega Lightbar Blue - Quick Guide

**EN** The complete user manual can be found at: **SE** Den kompletta bruksanvisningen i original finns på: **DE** Die komplette Originalbetriebsanleitung finden Sie unter: **FR** La notice originale intégrale est disponible sur: [www.standby.eu/support/manuals](http://www.standby.eu/support/manuals)

### Technical Data

Lens	Polycarbonate
Color, lens	Blue lenses with coating
Color, LED, End modules	Blue
Color, LED, Inboard modules	Blue
Cable	5 m
Voltage	10 - 24 VDC
Power consumption	5 A @ 13.5 V
	Max 4.3 @ 13.5 V
Length	1280 or 1590 mm
Height	67 mm
Width	267 mm
Interface	Hardwired
Operating temperature	-40°C - +85°C
Approvals	ECE R65 I, ECE R10, EMC

### Installation | Montering | Einbau | Installation



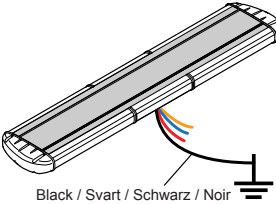
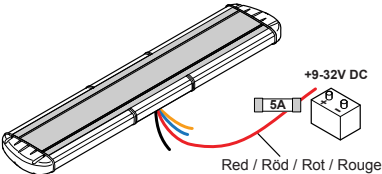
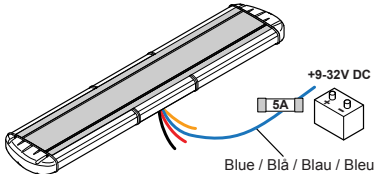
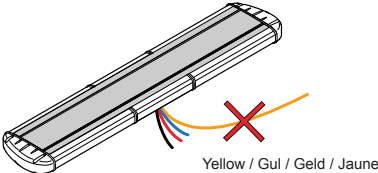
### Safety



#### WARNING

This product contains high intensity LED devices. To prevent eye damage, do not look into the light beam at close range.

Connections | Inkoppling | Anschlussbeschreibung | Connexions

<p><b>POWER SUPPLY</b></p>  <p>Black / Svart / Schwarz / Noir</p>	<p><b>POWER SUPPLY</b></p>  <p>+9-32V DC 5A Red / Röd / Rot / Rouge</p>	<p><b>Warning light, ON</b></p>  <p>+9-32V DC 5A Blue / Blå / Blau / Bleu</p>
<p><b>N/A</b></p>  <p>Yellow / Gul / Geld / Jaune</p>		