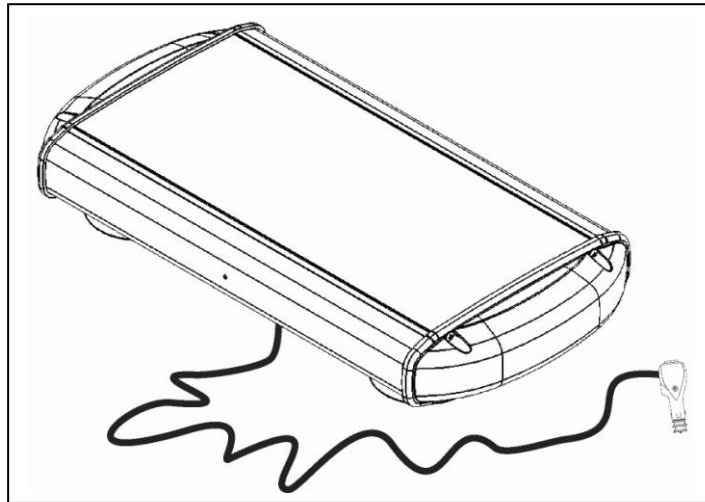


# TECHNICAL GUIDE FOR MINI-VEGA LIGHTBAR

(References: 29262 / 29264)



## SUMMARY

1. DESCRIPTIONS .....	2
2. DIMENSIONS & WEIGHT .....	3
3. ELECTRICAL CHARACTERISTICS .....	3
4. MOUNTING INSTRUCTIONS .....	4
5. OPERATING INSTRUCTIONS.....	4



### WARNING CONCERNING MOUNTING OF MERCURA MATERIAL

The installer is fully responsible for the mounting of equipment on a vehicle.

The installer must define the means and the material necessary for mounting of equipment in order to deliver the vehicle equipped according to the regulations.

MERCURA is not responsible for failures occurring due to incorrect definition of the type of mounting system, reinforcements, drilling holes in roof panel, state and quality of mounting system, use of vehicle manufacturer anchoring points and the system power supply and protection definition in accordance with the vehicle's energy source.

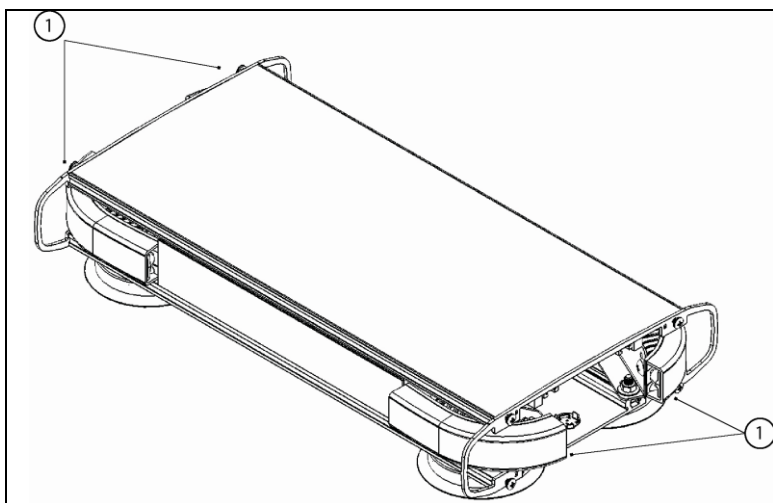
## 1. DESCRIPTIONS

The references of 2 models:

- Model 4 blue lights: 29262
- Model 4 amber lights: 29264

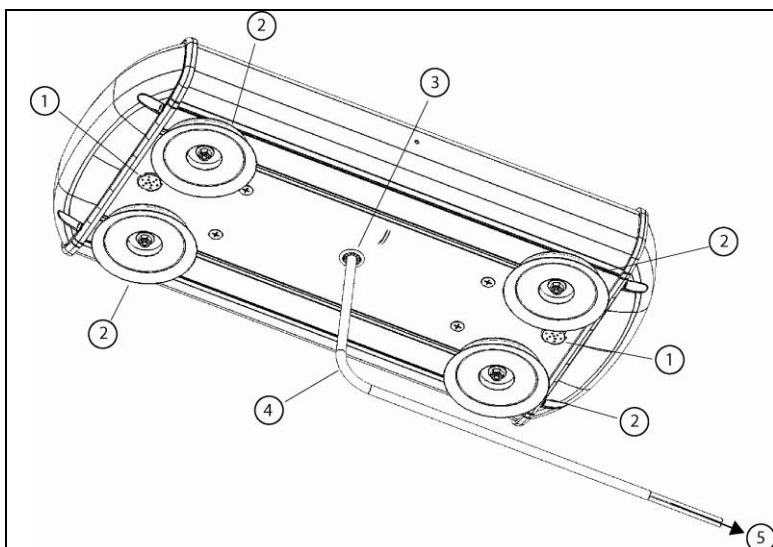
Each lightbar is equipped with 4 x corner light modules, 4 magnetic pads for easy removal from the vehicle and a 4.5m length cable with cigar lighter plug. The cable exit is placed in the centre of the lightbar base. The lightbar is perfectly symmetrical and therefore does not have a particular "front - rear" orientation.

2 operating modes are possible: CRUISE MODE and FLASH MODE.



1. Corner module (*Lightbar view without the corner lenses*).

The 4 lights are identical



1. Lens vent enabling air circulation.

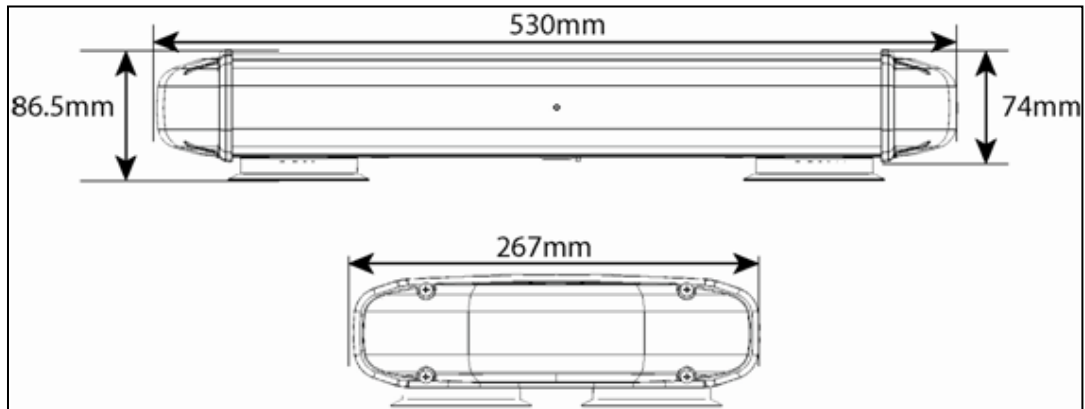
2. Magnetic mounting pads.

3. Cable sheath

4. Cable with cigar lighter plug.

5. Towards Cigar lighter plug.

## 2. DIMENSIONS & WEIGHT



Weight: 4.8 kg

## 3. ELECTRICAL CHARACTERISTICS

**VOLTAGE** : 10-30 volts

### CONSUMPTION

#### Flash Mode

- 6.3 A peak for 13.5 volts / 3.2 A peak for 27 volts
- 2.2 A average for 13.5 volts / 1.3 A average for 27 volts

#### Cruise Mode

- 2.7 A peak for 13.5 volts / 1.2 A peak for 27 volts
- 0.6 A average for 13.5 volts / 0.3 A average for 27 volts

## APPROVALS

### According to Regulation 65

- Blue Lightbar: TB1 E2 0015049
- Amber Lightbar: TA1 E2 00221

### EMC according to Regulation 10

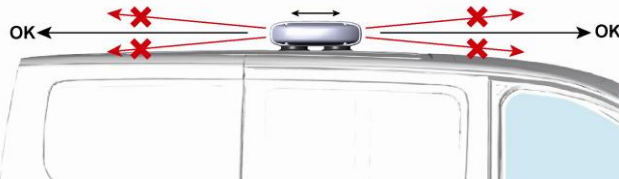
- Blue and amber lightbar: E2 10R05 15217

## 4. MOUNTING INSTRUCTIONS



Before mounting the MINI VEGA lightbar on the vehicle roof panel, make sure that the surface on which the magnetic pads are placed is suitable and in good condition.

The surface chosen must be flat and clean in order to optimize the magnetic contact between the roof panel and the magnetic pads. Clean the roof panel, if necessary. The roof panel must be suitable for a magnetic mount. Roof panels in polyester or derivatives are not compatible



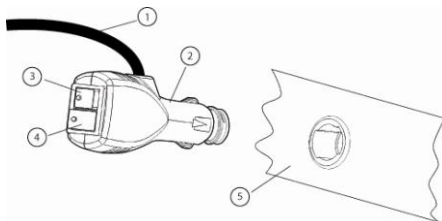
Minimise the cable distance between the lightbar and the inside of the vehicle.

## 5. OPERATING INSTRUCTIONS



**ENSURE THAT THE CIGAR LIGHTER SOCKET IS ADAPTED TO THE LIGHTBAR'S ELECTRICAL POWER (FROM 8 TO 10 A)**

Insert the cigar lighter plug in the vehicle's cigar lighter socket.



1. Lightbar cable
2. Cigar lighter plug
3. MODE CRUISE ON/OFF switch
4. FLASH MODE control switch

The CRUISE MODE is activated using the ON/OFF switch on the cigar lighter plug.

FLASH MODE is activated using its corresponding switch located on the cigar lighter plug.

The FLASH MODE switch control activates the lightbar lights in FLASH mode.

Once the lightbar is activated in FLASH mode, it is possible to use the CRUISE mode by pressing the "CRUISE" ON/OFF switch. Another press stops the "CRUISE" mode.



### DANGER

DO NOT EXCEED 150 KM/H MAXIMUM SPEED WITH THE MAGNET PADS LIGHTBAR INSTALLED ON THE VEHICLE ROOF.

BEYOND THIS SPEED LIMIT, WE CANNOT GUARANTEE THE LIGHTBAR'S ADHERENCE TO THE VEHICLE ROOF.